

# SHERIDAN SHEET METAL CO.

SINCE 1950



The Finest in  
Rain Carrying  
Equipment and  
Architectural  
Sheet Metal  
Products





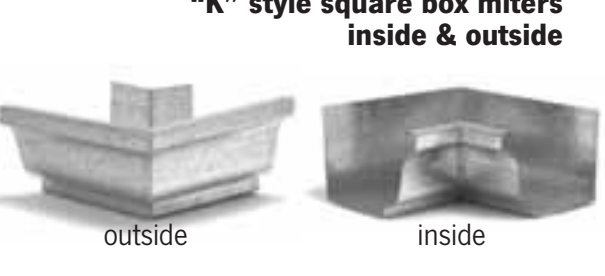
**The mission of Sheridan Sheet Metal Company is to provide products and installations of the highest quality. Maintain maximum customer satisfaction through superior service and competitive pricing. Provide employees with a sound compensation and benefit program and encourage a cooperative, teamwork atmosphere.**



# Architectural SHEET METAL Products



**SHERIDAN**  
SHEET METAL CO.

PACKING	SIZES & COLORS	DESCRIPTION
100'/bundle or 1 ea. .... 33' 6" long ea. .... 20' long ea. ....	<b>4"</b> Galvanized <b>5"</b> Galvanized, White, Brown, Clay, Gray, Territone, Almond, *Copper (per order) <b>6"</b> Galvanized, White Custom made to order lengths available	<b>"K" style high back gutter</b> 
100'/bundle or 1 ea. .... 10', 16', 21', 26', 33' 6" long ea. .... 20' long ea. ....	<b>4"</b> Galvanized <b>5"</b> Galvanized, White, Brown, Clay, Gray, Territone, Almond, *Copper (per order) <b>6"</b> Galvanized, White, Brown, Clay, Gray, Territone, Almond, *Copper (per order) Custom made to order lengths available	<b>"K" style low back gutter</b> 
50/box or 1 ea. .... 50/box or 1 ea. .... 50/box or 1 ea. ....	<b>4"</b> Galvanized <b>5"</b> Galvanized, White, Brown, Clay, Gray, Territone, Almond, Copper <b>6"</b> Galvanized, White, Brown, Clay, Gray, Territone, Almond, Copper	<b>"K" style friction end caps left &amp; right</b> 
1 ea. ....	<b>5"</b> Galvanized, White, Brown, Copper	<b>"K" style mitered end caps left &amp; right</b> 
20/box or 1 ea. .... 20/box or 1 ea. .... 20/box or 1 ea. ....	<b>4"</b> Galvanized <b>5"</b> Galvanized, White, Brown, Clay, Gray, Territone, Almond, *Copper <b>6"</b> Galvanized, White, Brown, Clay, Gray, Territone, Almond, *Copper	<b>"K" style square box miters inside &amp; outside</b>  <div style="display: flex; justify-content: space-around; width: 100%;"> <span>outside</span> <span>inside</span> </div>

\* Fabricated per order



**DESCRIPTION**

**"K" style round box miters**  
Inside & outside



**SIZES & COLORS**

**PACKING**

**5"** Brown.....20/box or 1 ea.  
**5"** White.....20/box or 1 ea.

**Slip joint connectors**



**4"** Galvanized.....50/box or 1 ea.  
**5"** Galvanized, White.....90/box or 1 ea.  
Brown.....50/box or 1 ea.

**5" bent gutter straps**  
High back strap



**5"** Galvanized.....100/box or 1 ea.  
**5"** Copper.....100/box or 1 ea.  
(fits 5" gutter)

**4", 5", 6" straight gutter straps**



Galvanized.....100/box or 1 ea.  
Copper.....100/box or 1 ea.  
(fits 4", 5", 6" gutter)

**5", 6" concealed hangers**



**5"** Galvanized, Copper.....100/box or 1 ea.  
**6"** Galvanized, Copper.....50/box or 1 ea.

**"K" style fascia brackets**

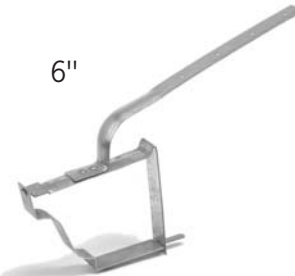









**4"** Galvanized.....50/box or 1 ea.  
**5"** Galvanized, White, Brown.....50/box or 1 ea.  
**6"** Galvanized, White, Brown.....50/box or 1 ea.

# Architectural SHEET METAL Products



**SHERIDAN**  
SHEET METAL CO.

PACKING	SIZES & COLORS	DESCRIPTION
100/box or 1 ea. .... 100/box or 1 ea. .... 50/box or 1 ea. .... 50/box or 1 ea. ....	<b>4"</b> Galvanized <b>5"</b> Galvanized, White, Brown, Copper <b>6"</b> Galvanized, White, Brown, Copper	<b>"K" style easyon gutter hangers</b>  6"  5"
1 ea. .... 100/box or 1 ea. .... 1 ea. .... 180/box or 1 ea. .... 160/box or 1 ea. ....	<b>4"</b> Galvanized Ferrules <b>5"</b> Galvanized, White Ferrules <b>6"</b> Galvanized Ferrules <b>7"</b> Spikes <b>8"</b> Spikes	<b>Spikes and ferrules</b> 
24/box or 1 ea. .... 36/box or 1 ea. ....	ALCOA 5 oz tube NPC 5 oz tube	<b>Gutter seal</b> 
50/box or 1 ea. .... 50/box or 1 ea. ....	<b>3"</b> Galvanized, White, Copper <b>4"</b> Galvanized, Copper	<b>"K" style outlets</b>  
50/box or 1 ea. .... 50/box or 1 ea. .... 50/box or 1 ea. ....	<b>3"</b> White <b>4"</b> Galvanized, White <b>5"</b> Galvanized	<b>"K" style wide flange outlets</b>  

## DESCRIPTION

## SIZES & COLORS

## PACKING

### Rectangular corrugated downspout



#### 2" x 3" @ 10' & 15'

Galvanized, White, Brown, Copper .....50'/bundle or 1 ea.

#### 3" x 4" @ 10', 15' & 25'

Galvanized, White, Brown, Clay, Gray, Territone, Almond, Copper .....50'/bundle or 1 ea.

#### 4" x 5" @ 10'

Galvanized, White, Brown, Copper .....1 ea.

### Rectangular corrugated elbows



#### 2" x 3" Galvanized, White, Brown, Copper

A Style: 22°, 45°, 60°, 75°, 90° .....20/box or 1 ea.

B Style: 22°, 45°, 60°, 75°, 90° .....20/box or 1 ea.

#### 3" x 4" Galvanized, White, Brown, Clay, Gray, Territone, Almond, Copper

A Style: 22°, 45°, 60°, 75°, 90° .....20/box or 1 ea.

B Style: 22°, 45°, 60°, 75°, 90° .....20/box or 1 ea.

#### 4" x 5" Galvanized, White, Brown, Copper

A Style: 45°, 75°, 90° .....10/box or 1 ea.

B Style: 45°, 75° .....10/box or 1 ea.

NOTE: 75° is the standard elbow to use for downspouts

### Square downspout clincher bands



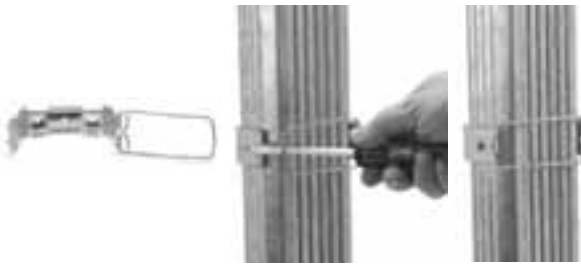
#### 2" x 3"

Galvanized, White, Brown, Copper .....100/box or 1 ea.

#### 3" x 4"

Galvanized, White, Brown, Clay, Gray, Territone, Almond, Copper .....100/box or 1 ea.

### Locking square downspout hangers



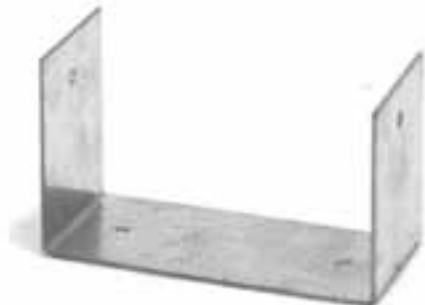
#### 2" x 3"

Galvanized, White, Brown .....1 ea.

#### 3" x 4"

Galvanized, White, Brown, Clay, Gray, Territone, Almond .....1 ea.

### U downspout brackets



#### 3", 4", 5"






Galvanized, Copper .....1 ea.

(fits rectangular or round downspouts)

# Architectural SHEET METAL Products



**SHERIDAN**  
SHEET METAL CO.

PACKING	SIZES & COLORS	DESCRIPTION
10' long ea. .... 10' & 20' long ea. .... 20' long ea. ....	<b>4"</b> Galvanized <b>5" &amp; 6"</b> Galvanized <b>5" &amp; 6"</b> Copper	<p><b>Half round gutter</b></p> 
50/box or 1 ea. .... 50/box or 1 ea. ....	<b>4", 5", &amp; 6"</b> Galvanized <b>5" &amp; 6"</b> Copper	<p><b>Half round end caps</b></p> 
20/box or 1 ea. .... 20/box or 1 ea. ....	<b>4", 5", &amp; 6"</b> Galvanized <b>5" &amp; 6"</b> Copper	<p><b>Half round miters</b></p> 
50/box or 1 ea. ....	<b>4", 5", &amp; 6"</b> Galvanized	<p><b>Half round slip joint connectors</b></p> 
100/box or 1 ea. .... 50/box or 1 ea. ....	<b>4", 5", &amp; 6"</b> Galvanized <b>5" &amp; 6"</b> Copper	<p><b>Half round easyon hangers</b></p> 

**DESCRIPTION**
**SIZES & COLORS**
**PACKING**
**Shanks & circles**


**5"** Galvanized, Copper.....50/box or 1 ea.  
**6"** Galvanized, Copper.....50/box or 1 ea.

**Half round outlets ( b drops)**


**3"** Galvanized, Copper.....50/box or 1 ea.  
**4"** Galvanized, Copper.....50/box or 1 ea.

**Round corrugated pipe**


**3"** Galvanized, Copper.....10' ea.  
**4"** Galvanized, Copper.....10' ea.  
**5"** Galvanized, Copper.....10' ea.  
**6"** Galvanized, Copper.....10' ea.

**Plain round pipe**


**3"** Galvanized.....100'/bundle or 1 ea.  
 Copper.....1 ea.  
**4"** Galvanized.....50'/bundle or 1 ea.  
 Copper.....1 ea.

**Round corrugated elbows**


**3"** Galvanized: 45°, 60°, 75°, 90° .....20/box or 1 ea.  
**3"** Copper: 45°, 60°, 75°, 90° .....10/box or 1 ea.  
**4"** Galvanized: 45°, 60°, 75°, 90° .....20/box or 1 ea.  
**4"** Copper: 45°, 60°, 75°, 90° .....10/box or 1 ea.  
**5"** Galvanized: 45°, 75° .....10/box or 1 ea.  
**5"** Copper: 45°, 75° .....10/box or 1 ea.  
**6"** Galvanized: 75° .....10/box or 1 ea.  
**6"** Copper: 75° .....10/box or 1 ea.

NOTE: 75° is the standard elbow to use for downspouts

**Plain round elbows**


**3"** Copper, 75° .....20/box ea.  
**4"** Copper, 75° .....20/box ea.

**Round downspout straps**







**3"** Galvanized, Copper.....100/box  
**4"** Galvanized, Copper.....100/box  
**5"** Galvanized, Copper.....1 ea.  
**6"** Galvanized, Copper.....1 ea.



# Architectural SHEET METAL Products



**SHERIDAN**  
SHEET METAL CO.

PACKING	SIZES & COLORS	DESCRIPTION
12/case or 1 ea. .... 1 ea. .... 1 ea. ....	White, Brown 12 oz Clay, Gray, Territone, Almond 4.5 oz Colorklad and Una Clad Colors 4.5 oz	<p><b>Spray paint</b></p> 
10,000/case or 100/bag 10,000/case or 100/bag 100/bag..... 100/bag..... 10,000/case or 100/bag	# 42 Brown Steel # 42 White <b>(Stainless Steel)</b> # 42 Clay, Gray, Territone, Almond, <b>(Stainless Steel)</b> # 44 Colorklad Colors # 42 & # 44 Copper	<p><b>Pop rivets</b></p> 
50 lbs/case or per lb 50 lbs/case or per lb	<b>1 1/2" &amp; 2 1/2"</b> Ring Shank Galvanized <b>1 1/2" &amp; 2 1/2"</b> Ring & Smooth Shank Copper	<p><b>Hot dipped nails</b></p> 
50/bag or 100/bag... 50/bag or 100/bag...	<b>1 1/2" &amp; 2"</b> Wood grips with sealing washer (1/4" Hex head) <b>1/2"</b> Galvanized, White, Brown, Clay, Territone, Almond, Copper (1/4" Hex head)	<p><b>Screws</b></p> 
50 lbs/box or 1 ea..... 1 ea. .... 1 ea. ....	50/50 1/4 lb bar soder Salamonic 1 lb bar Nokorode 16 oz jar	<p><b>Sodering accessories</b></p> 

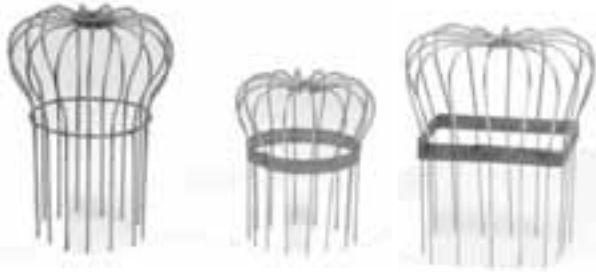


**DESCRIPTION**

**SIZES & COLORS**

**PACKING**

**Outlet strainers**



**3" & 4"**

Galvanized & Copper.....12/box or 1 ea.

**Funnels**



**3" & 4"**

Galvanized .....1 ea.

**Cut offs**



**2" X 3" & 3" X 4"**

Square

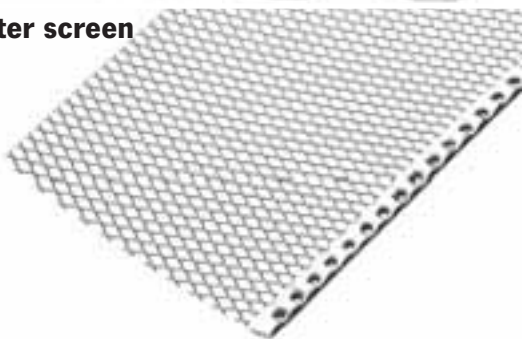
Galvanized .....1 ea.

**3" & 4"**

Round Corrugated

Galvanized .....1 ea.

**Gutter screen**



**6" wide, 3' long pieces**

Galvanized & Copper.....150'/box or 1 ea.

**Splash guards**




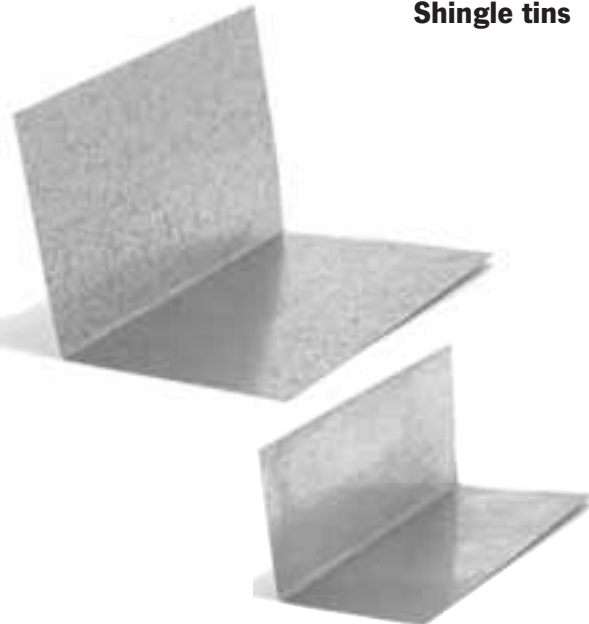
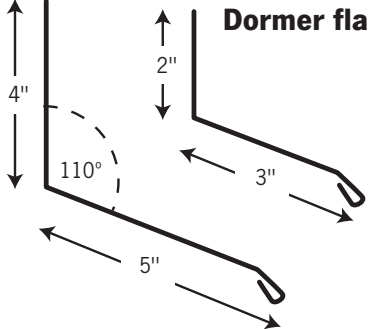
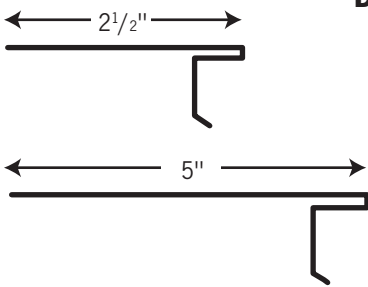
**12" x 12" x 3"**

Galvanized, White, Brown, Clay, Gray,  
Territone, Almond, Copper .....1 ea.

# Architectural SHEET METAL Products



**SHERIDAN**  
SHEET METAL CO.

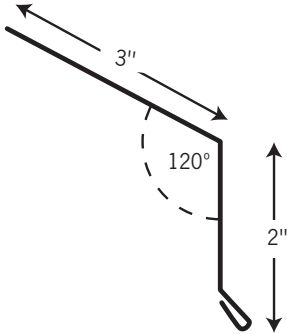
PACKING	SIZES & COLORS	DESCRIPTION
<p>1000'/pallet, 2000'/pallet or 1 ea.</p> <p>1 ea. ....</p> <p>1 ea. ....</p>	<p><b>18", 20", 24"</b>; 10' pieces Galvanized</p> <p><b>18" &amp; 24"</b>; 10' pieces Copper</p> <p><b>24" only</b>; 10' pieces Colorklad &amp; Una Clad Colors made per order.</p>	<p><b>"W" style valley</b></p> 
<p>100/bundle, ..... 10,000/pallet or 1 ea.</p> <p>50/bundle ..... 10,000/pallet or 1 ea.</p> <p>25/bundle ..... 100/bundle or 1 ea....</p> <p>50/bundle or 1 ea....</p> <p>25/bundle or 1 ea....</p>	<p><b>5" X 7"</b> Flat &amp; Bent; Galvanized</p> <p><b>8" X 8"</b> Flat &amp; Bent; Galvanized</p> <p><b>5" X 5" X 14"</b> Bent; Galvanized</p> <p><b>5" X 7"</b> Bent; Copper</p> <p><b>8" X 8"</b> Bent; Copper</p> <p><b>5" X 5" X 14"</b> Bent; Copper</p>	<p><b>Shingle tins</b></p> 
<p>100'/bundle or 1 ea...</p>	<p><b>2" X 3" &amp; 4" X 5"</b>; 10' pieces Galvanized</p>	<p><b>Dormer flashing</b></p> 
<p>250'/box or 1 ea. ....</p> <p>100'/bundle or 1 ea...</p>	<p><b>2 1/2"</b>; 10' pieces (standard gage) Galvanized, White, Brown, Black</p> <p><b>5"</b>; 10' pieces (28 gage) Galvanized, White, Brown</p>	<p><b>D-Edge</b></p> 

**DESCRIPTION**

**SIZES & COLORS**

**PACKING**

**Gutter apron**

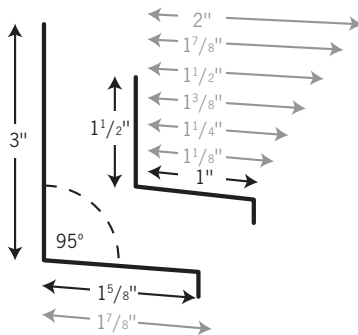


**2" X 3"**; 10' pieces

Galvanized, White, Brown, Clay, Gray,  
Territone, Almond, Copper .....

.....100'/bundle or 1 ea.

**Drip caps**



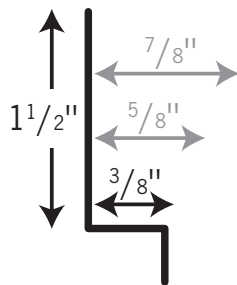
**1", 1 1/8", 1 1/4", 1 3/8", 1 1/2", 1 7/8", 2"**, with 1 1/2" back; 10' pieces

**1 5/8" & 1 7/8"** with **3"** back; 10' pieces

Galvanized .....

.....200'/bundle or 1 ea.

**Offset flashing**

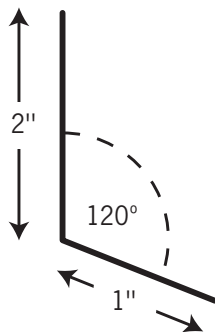


**3/8", 5/8", 7/8"**; 10' pieces

Galvanized .....

.....200'/bundle or 1 ea.

**Brick flashing**

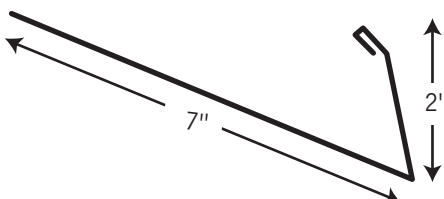


**1" X 2"**; 10' pieces

Galvanized .....

.....200'/bundle or 1 ea.

**Rain diverter**



**2" X 7"**; 10' pieces

Galvanized, White, Brown .....

.....50'/bundle or 1 ea.

# Architectural SHEET METAL Products



**SHERIDAN**  
SHEET METAL CO.

PACKING	SIZES & COLORS	DESCRIPTION
100'/bundle or 1 ea...	2" & 3" face; 10' pieces Galvanized	<p><b>Drip edge</b></p>
100'/bundle or 1 ea...	4" face; 10' pieces Galvanized, White, Brown	<p><b>Reglet flashing</b></p>
100'/bundle or 1 ea...	4" face; 10' pieces Galvanized	<p><b>Philadelphia flashing</b></p>
50'/bundle or 1 ea.....	7" face; 10' pieces Galvanized	<p><b>Fascia over cant</b></p>
50'/bundle or 1 ea.....	3" & 6" face; 10' pieces Galvanized	<p><b>Gravel stop</b></p>

**DESCRIPTION**

**SIZES & COLORS**

**PACKING**

**Roll flashing**



**6", 8", 10", 12", 14", 16", 20"**

Galvanized .....50'/roll

**6", 10", 12", 14", 16", 20"**

Aluminum .....50'/roll

**14", 20"**

Copper .....10' & 25'/roll

**Scuppers**



**10" wide 4" x 4" wood cant**

Overflow or with **4"** outlet

Galvanized .....1 ea.

**Flat roof flashing**



**3", 4", 5", 6", 7", 8", 9", 10", 11",  
12", 13", 14", 15", 16", 17", 18"**

Galvanized .....1 ea.

**Storm collars**



**3", 4", 5", 6", 7", 8", 9", 10", 11",  
12", 13", 14", 15", 16", 17", 18"**

Galvanized .....1 ea.

**Cone tops**








**4", 6", 8", 10", 12", 14", 16"**

Galvanized .....1 ea.

# Architectural SHEET METAL Products



**SHERIDAN**  
SHEET METAL CO.

PACKING	SIZES & COLORS	DESCRIPTION
1 ea. ....	<b>4" x 4" &amp; 6" x 6"</b> 4" high Galvanized	 <p><b>Pitch pans</b></p>
1 ea. ....	<b>2", 3", 4", 5"</b> 18" long tube Galvanized & Copper	 <p><b>Plate &amp; tubes</b></p>
1 ea. ....	10' pieces Galvanized & Copper	 <p><b>Ridge roll</b></p>
1 ea. ....	Galvanized & Copper	 <p><b>Finial balls</b></p>
6/box or 1 ea. ....  6/box or 1 ea. ....	Lamanco: Brown, Black, Weathered Bronze Vents 94 square feet  Lehigh: Copper Vents 94 square feet	 <p><b>Roof vents</b></p>



**DESCRIPTION**

**SIZES & COLORS**

**PACKING**

**Kitchen & bath vents**



Broan 634  
Kitchen  
Black, Copper .....1 ea.

Broan 636  
Bath  
Black, Copper .....1 ea.

**Moore plumbing vents**



**2", 3", 4"**  
Regular & High Pitch  
Galvanized .....1 ea.

**2", 3", 4"**  
Regular & High Pitch  
Copper .....1 ea.

**Pitched flashing**



**3", 4", 5", 6", 7", 8", 9", 10", 11",  
12", 13", 14", 15", 16", 17", 18"**  
Galvanized .....1 ea.

**Collection boxes**



Made per order  
Galvanized, Prefinished, Copper .....1 ea.

**Chimney saddles**



Made per order  
Need width of chimney  
Exact pitch of roof  
Distance to counter flashing


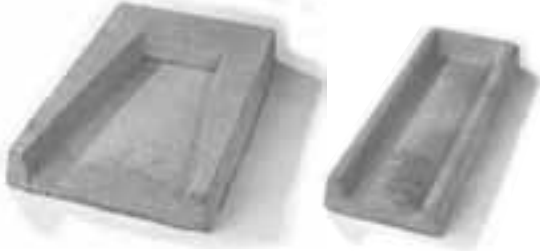
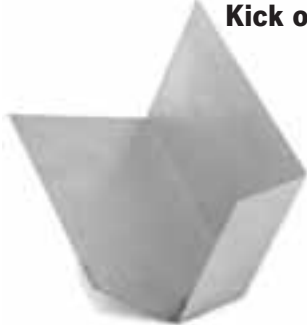


Galvanized & Copper .....1 ea.



# Architectural SHEET METAL Products

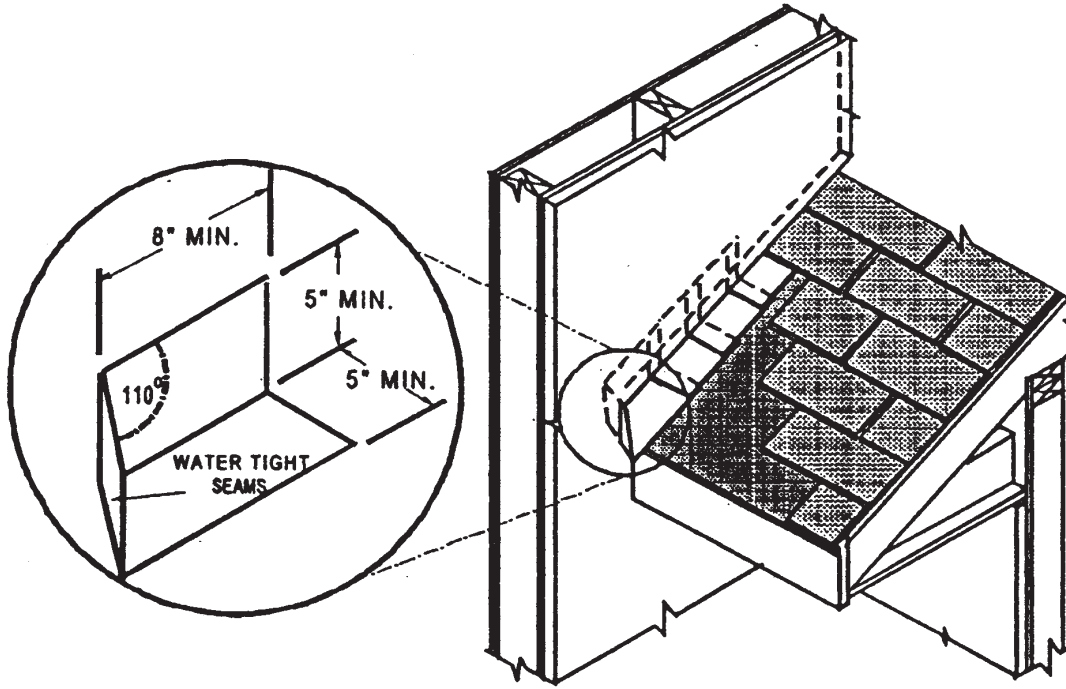


**SHERIDAN**  
SHEET METAL CO.

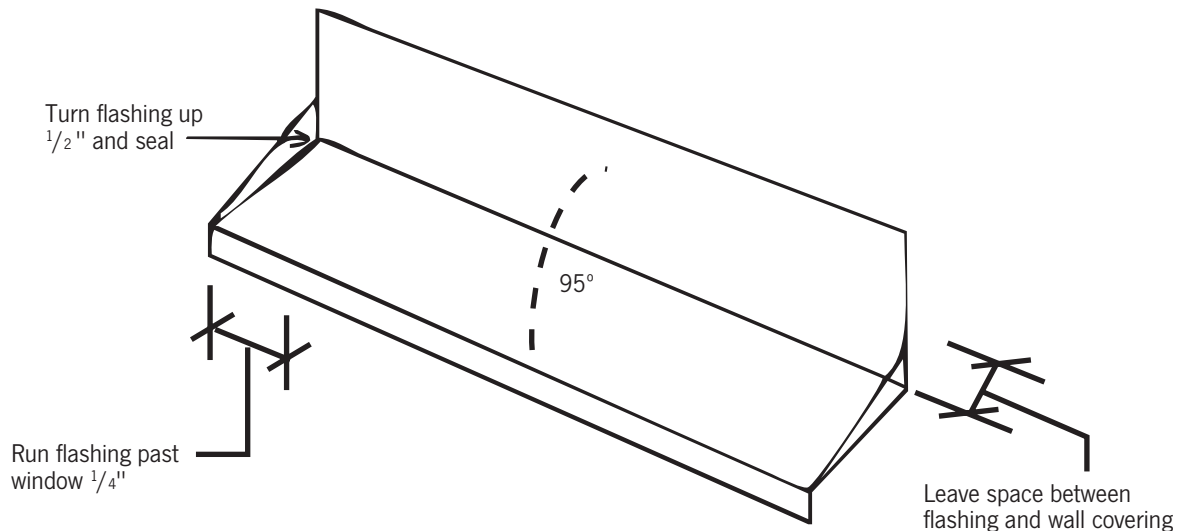
PACKING	SIZES & COLORS	DESCRIPTION
1 ea. ....	<b>9" x 9"</b> <b>9" x 13"</b> <b>13" x 13"</b> Black	<b>HY C Chimney caps</b> 
1 ea. ....	<b>11" x 30"</b> <b>18" x 30"</b> Gray	<b>Concrete splash blocks</b> 
1 ea. ....	<b>5" x 5" x 17"</b> Galvanized	<b>Kick out flashing</b> 
1 ea. ....	Flat & Concave Panels Copper	<b>Copper bay roofs</b> 
1 ea. ....	Made per order Prefinished Steel 30 colors <b>2 1/2", 3"</b> Galvanized, Copper	<b>Snow guards</b> 



**Kick out flashing illustration**



**Drip cap**



Recommended method for flashing a window or door head or at any ledger that stops in the middle of a wall. Turn up flashing to form "endcaps" and seal making sure that the length of the flashing overhangs the protrusion by  $\frac{1}{4}$ " on each side. The wall covering is left up off the bottom bend of the flashing to help keep the 5° slope.

## TERMS and CONDITIONS

### Prices:

1. Prices (quoted on separate sheets) for materials covered hereby are subject to Sheridan Sheet Metal, Inc. (hereinafter referred to as "Seller"), at its shipping points, and will be accepted only upon the conditions as shown in the paragraphs hereafter.
2. Prices on the separate sheets specified, unless otherwise indicated, do not include sales, excise or other taxes payable on account of this transaction (except income tax) and such taxes now or hereafter levied applicable to this transaction shall be paid by Buyer.
3. All prices will be P.I.E., price in effect at time of shipment.

### Product Availability:

1. Certain products listed in this catalog are not offered as a stock item and must be preordered. The product offering is subject to discretion of the Seller.

### Freight Terms:

1. Buyer's orders will be shipped freight collect from Seller's plant location.
2. No freight costs will be paid by Seller for any Buyer's pickups.

### Delivery And Shipment:

1. Unless otherwise specified upon delivery of materials f.o.b. Seller's plant, all risk of loss, damage and other incidents of ownership shall immediately pass to Buyer.
2. Any routing specified by Buyer will be observed, but Seller shall not be liable for freight allowances, if any, other than that of most economical route. Freight allowances will be made in accordance with Seller's current published price list. Seller reserves the right at all times to control routing.

### Payment:

1. Open account sales have payment terms of net 30 unless otherwise stipulated.
2. All invoices will be dated the day of shipment.
3. Remittance Address: Sheridan Sheet Metal Inc. 4108 Quebec Ave. N. New Hope, Mn. 55427

### Delays:

Seller shall not be liable for delay or failure in performance hereof arising from any cause not within Seller's control, including, but not limited to, accidents, breakdowns or mechanical failure of plant machinery or equipment arising from any cause whatsoever, strikes or other labor troubles, labor shortage, fire, flood, war acts of the public enemy, acts of God, priorities, allocations, limitations or other acts required or requested by Federal or local Governments, or failure of unusual sources of supply materials.

### Standard Tolerances:

Seller will produce and ship this order within Seller's limitations as to size, gauge, temper and quality, in accordance with the Seller's current published price list.

### Limited Warranty:

1. Seller warrants (to the original consumer purchaser) all materials sold hereunder to be free from defects in materials and workmanship at time of purchase. THIS WARRANTY IS IN LIEU OF AND EXCLUDES ALL OTHER WARRANTIES, EXPRESS OR IMPLIED, BY OPERATION OF LAW OR OTHERWISE, INCLUDING ANY WARRANTY THAT MATERIALS ARE SUITABLE FOR BUYER'S REQUIREMENTS OR SPECIAL USE AND THE IMPLIED WARRANTIES OF MERCHANTABILITY AND FITNESS OF PURPOSE. SOME STATES DO NOT ALLOW THE ABOVE LIMITATIONS ON THE APPLICABILITY OF AN IMPLIED WARRANTY, SO THE ABOVE LIMITATIONS MAY NOT APPLY TO YOU. IN CONSIDERATION OF THIS WARRANTY, IT IS AGREED THAT SELLER SHALL NOT BE LIABLE FOR ANY INCIDENTAL, SPECIAL OR CONSEQUENTIAL DAMAGES. SOME STATES DO NOT ALLOW THE EXCLUSION OR LIMITATION OF INCIDENTAL, SPECIAL OR CONSEQUENTIAL DAMAGES, SO THE ABOVE EXCLUSION OR LIMITATION MAY NOT APPLY TO YOU. This warranty also does not cover, and Seller hereby disclaims all liability for, any product which has been subject to abuse, alterations, modification, neglect, issued, abnormal use, or to which parts, not supplied by Seller, have been added, or to defects caused by depreciation or normal wear, (This warranty applies only if Seller's materials are installed and maintained according to Seller's recommended practices and installation instructions.) The suitability of a product for an intended use shall be the sole responsibility of the user. Seller's liability shall in no event exceed the purchase price paid to it. No person has the authority to change these terms and there are no warranties except as stated herein. Any claim on account of defective materials or for any other cause shall be deemed waived by Buyer unless written notice of such claims is received by Seller within sixty (60) days after date of receipt of materials by Buyer. Seller shall be given a reasonable opportunity to investigate all claims and no materials shall be returned to Seller until after inspection and approval by Seller and receipt by Buyer or written shipping instructions. Seller shall have the option of replacing or repairing any defective materials, refunding the purchase price, or granting a reasonable allowance on account of such defects, and Seller liability and Buyer's remedies for defective materials shall be limited solely and exclusively as above. This warranty gives you specific legal rights and you may also have other legal rights which vary from state to state.
2. 20% handling charge plus incurred freight will be made on all material returned without written authorization by Seller.



**SHERIDAN**  
**SHEET METAL CO.**

**Architectural Sheet Metal**

4108 Quebec Avenue North • Minneapolis, MN 55427

**763.537.3686**

[info@SheridanSheetMetal.com](mailto:info@SheridanSheetMetal.com)

[www.sheridansheetmetal.com](http://www.sheridansheetmetal.com)